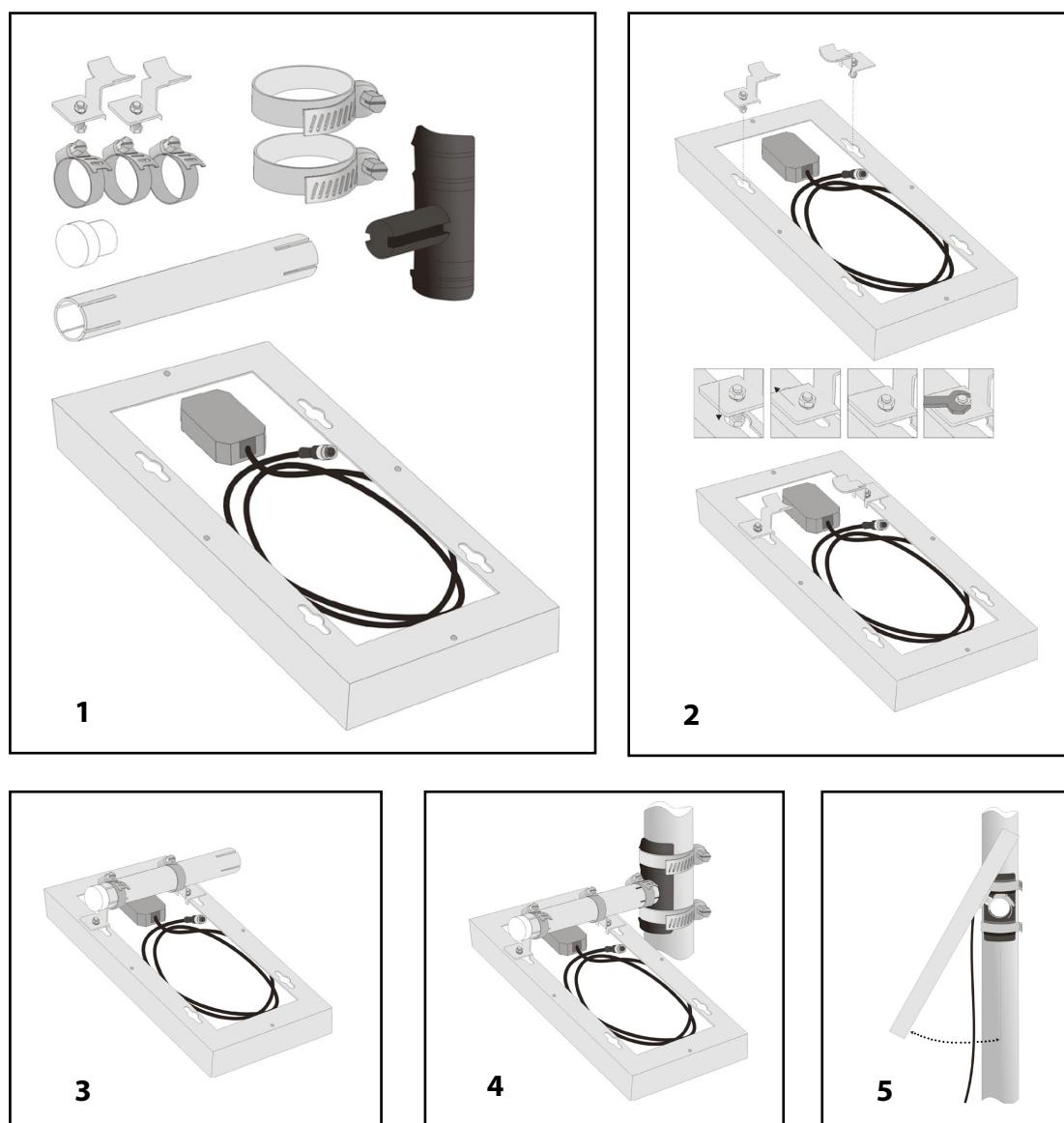


Power Supply model T110

Installation instructions

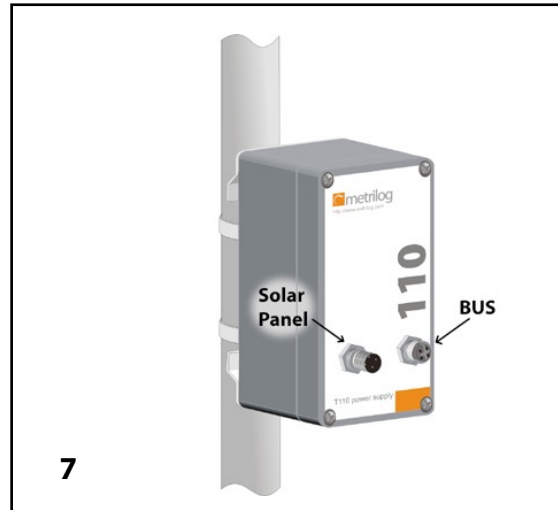
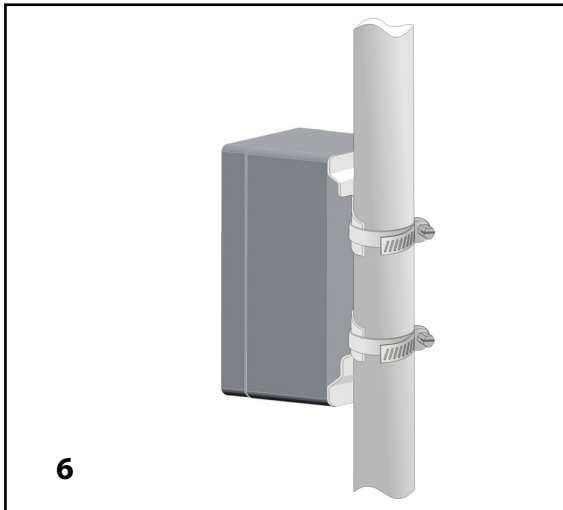
Both the T110 power supply and the solar panel are intended to be installed on a 40 mm diameter mast (not included). Proceed first to assemble and install the solar panel (if available), as described below.

The solar panel should be oriented towards south (in the northern hemisphere, and towards north in the

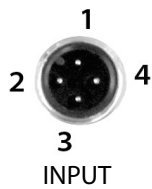


southern hemisphere). The angle should be appropriate to your latitude so that the maximum of light is collected by the panel at noon, during the winter time. The special technology used to manufacture the panels makes them less sensitive to the light incidence angle, therefore the orientation is less critical.

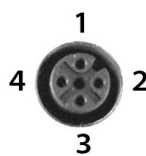
To install the T110 power supply itself, simply affix it on the mast by using the two hose clamps provided (see also the drawings on the following page). Connect the cables accordingly, first the solar panel and then the bus cable to the sensors and the RTU.



Connectors description



INPUT



SDI-12

Pin	Signal	Cable color
1	+ Vin (15 to 24 Volt, current limited at 200 mA)	Brown
2	- Vin and GND	White
3, 4	Not Used	Blue, Black

Pin	Signal	Cable color
1	+Vout (12 V nom.)	Brown
2	-Vout and GND	White
3	RS-485 A Data	Blue
4	SDI-12 or RS-485 B Data	Black

Technical parameters

Parameter	Value
Input voltage	15 to 24 Vcc (solar panel or current limited voltage @ 200 mA)
Output voltage	12 V nom., 14.8 V max.
Internal battery capacity	3.4 Ah
Output current	< 0.7 A continuous duty, 3.6 A peak
Over-current protection	automatic, auto-restart after 10 sec.
Short-circuit protection	automatic at 4...5 A
Battery low protection	automatic if Ubatt < 11.9 V
Temperature protection	automatic during recharging if Ta > 40°C to max. 13.8 V
Operating temperature	-20° ... +60°C
Operating relative humidity	5 ... 100%
Dimensions	80/160/85 mm
Weight	about 1680 g
Protection class	IP65
SDI-12	protocol version 1.3; commands M, C, R0 which return two internal variables: battery voltage and charge status on/off